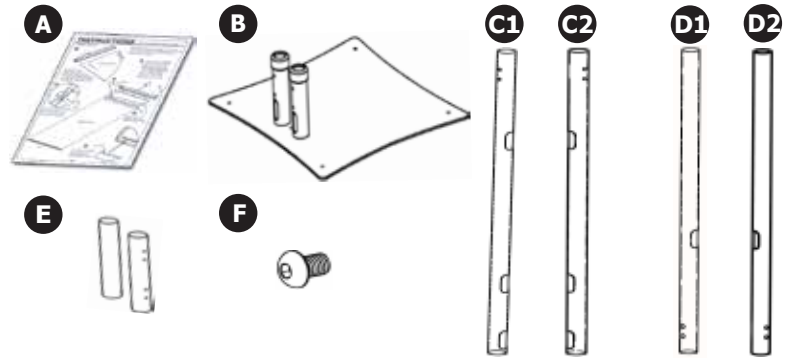


FLAT BASE TV STAND

Parts

A.	Instructions	1
B.	Metal Base	1
C1.	Lower Round Tubing (Left)	1
C2.	Lower Round Tubing (Right)	1
D1.	Upper Round Tubing (Left)	1
D2.	Upper Round Tubing (Right)	1
E.	Tubing Connector	2
F.	Pan Head Screw	12

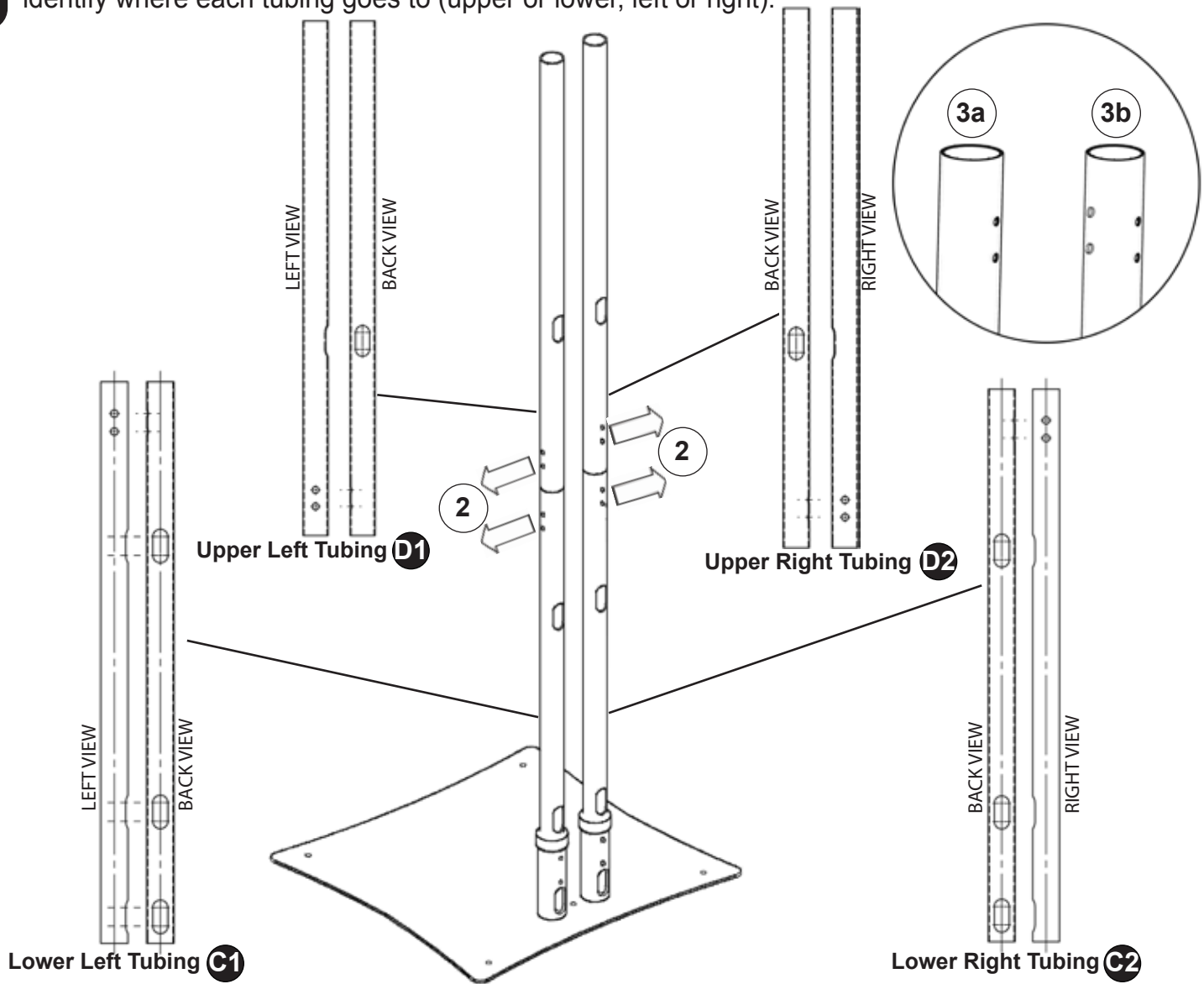


CAUTION:
METAL BASE IS HEAVY! 2 PERSONS LIFT/MOVE TO PREVENT ANY PHYSICAL INJURY.

*Hex Key for Part F can be found inside the TV Bracket box. (DUOPOLEBK)

PLEASE READ AND UNDERSTAND ALL INSTRUCTIONS BEFORE START THE ASSEMBLING.

1 Open small box, lay out 4 long **Tubings (C1, C2, D1, D2)** on a flat surface. See picture below to identify where each tubing goes to (upper or lower, left or right).

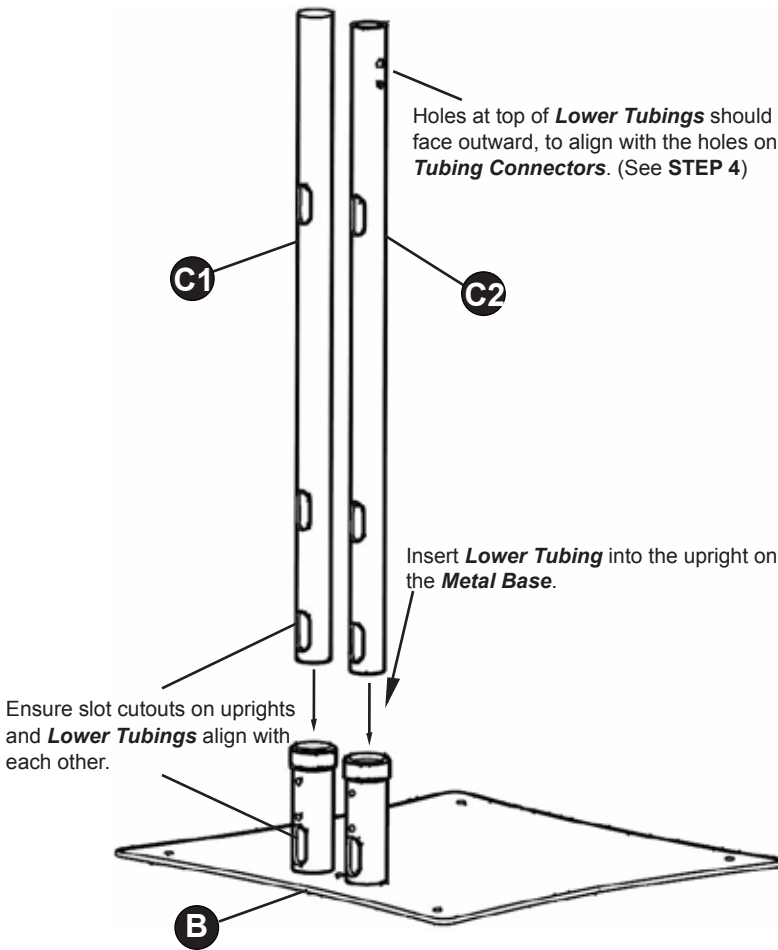


- **1. One or more upper/lower tubing may have holes on both sides.
- 2. Make sure each tubing has at least one pair of 2 holes facing outward (see detail 2).
- 3. Arrange tubings with one pair holes (see detail 3a), then sort tubings with two pairs holes (see detail 3b) to open places.

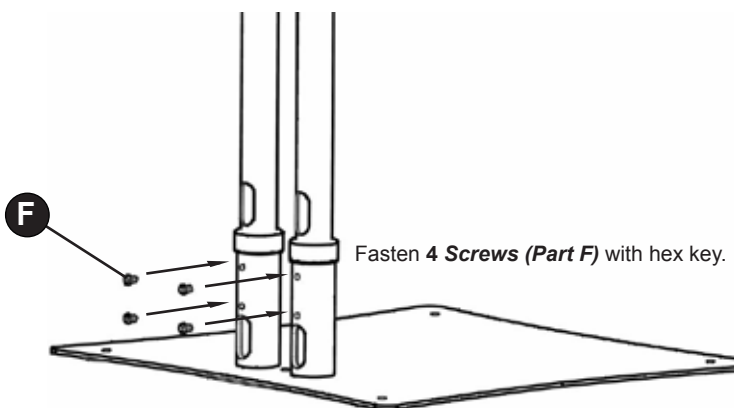
FLAT BASE TV STAND

CAUTION: HEAVY METAL BASE CAN CAUSE MUSCLE STRAIN OR BACK INJURY.

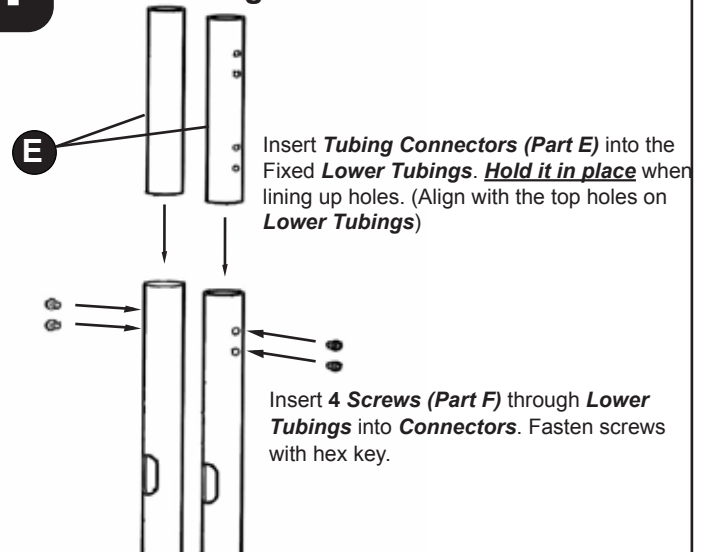
2 Before assembling, remove packing materials. Carefully place the **Metal Base (Part B)** on a hard, flat ground.



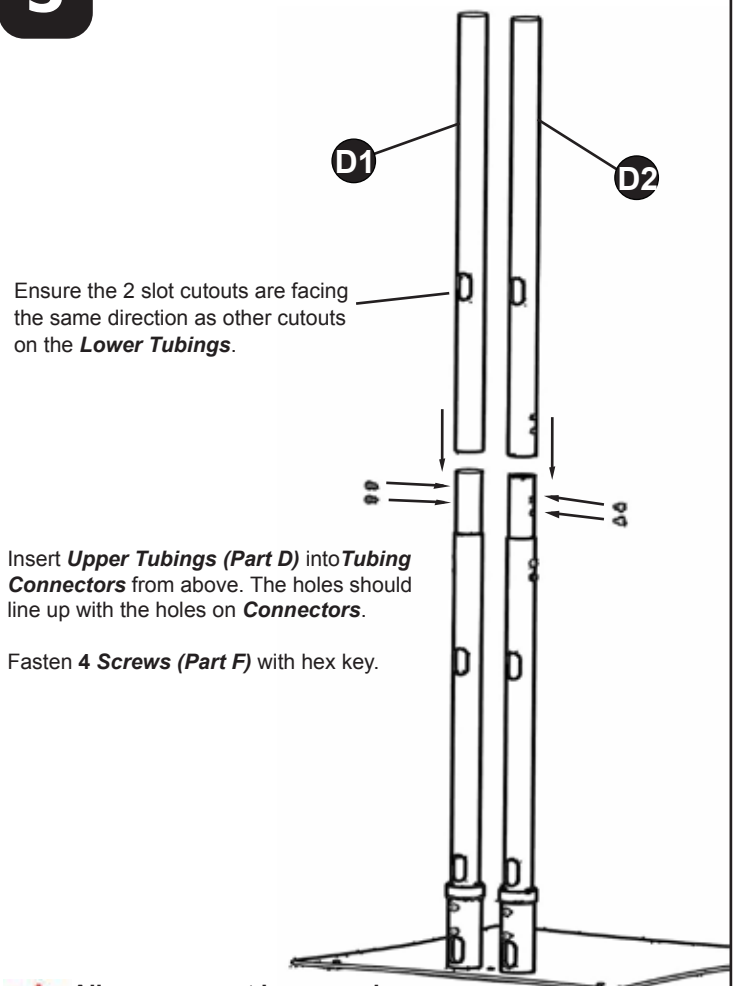
3 Fix **Lower Tubings** by tightening 4 screws at bottom of the TV Stand.



4 Fix **Tubing Connector (Part E)** on top of the **Lower Tubing**.



5 Insert **Upper Tubings with Connectors**.



 All screws must be securely tightened before using TV Stand.

Still have questions? No worry. If you're confused during any step of the way, just call the number located at the bottom of the Instructions pages. Our friendly representative will be more than happy to help you.

DISPLAYS2GO